



# SPECIFICATION

Ablaze LED Flood Light



## Product Details



### Integrated Cooler

1070 Standard aluminum housing, Excellent heat dissipation.



### LED Source – 3030

Specialized silicone rubber ring coupled with the "G" shaped clips eliminate all water, dust and moisture.



Tempered glass

Waterproof gasket

G shape clips

### Integrated Design, IP65 Protection

Specialized silicone rubber ring couple with G shape clips design, Not only enhance the ability of water and dust resistance, a more graceful appearance as well.

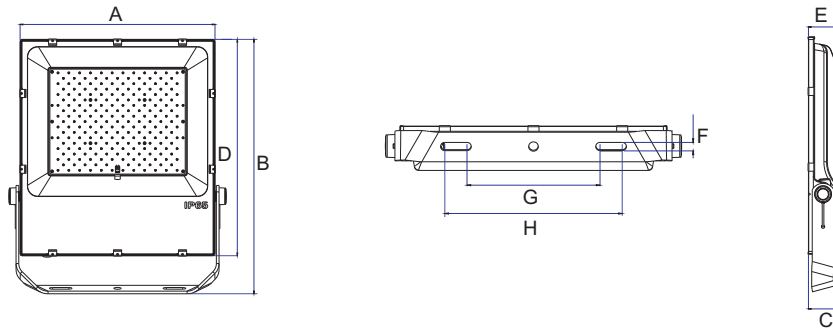


The angle of rotation 120°

### 0-120° Adjustable Bracket

Lighting angle can be switched from 0° to 120° for different installation.

## Dimension



| Item code | A<br>mm | B<br>mm | C<br>mm | D<br>mm | E<br>mm | F<br>mm | G<br>mm | H<br>mm |
|-----------|---------|---------|---------|---------|---------|---------|---------|---------|
| NS-FL-10  | 107     | 166     | 32      | 140     | 32      | 6.5     | 56.5    | 83.5    |
| NS-FL-20  | 152     | 216.5   | 40      | 190     | 40      | 8       | 68      | 102     |
| NS-FL-30  | 167     | 226.5   | 40      | 200     | 40      | 8       | 78      | 122     |
| NS-FL-50  | 220     | 310.47  | 50      | 265     | 47.5    | 10.5    | 90      | 140     |
| NS-FL-80  | 245     | 354.32  | 55      | 300     | 49.5    | 11.5    | 90      | 149.34  |
| NS-FL-100 | 295     | 402.32  | 60      | 345     | 53.5    | 11.5    | 90      | 150     |
| NS-FL150  | 330     | 430.25  | 60      | 365     | 53.5    | 11.5    | 180     | 240     |
| NS-FL-200 | 360     | 470.25  | 60      | 400     | 53.5    | 11.5    | 180     | 240     |

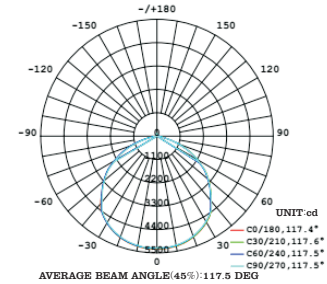
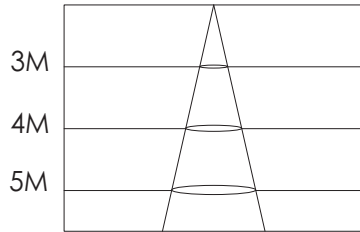
## Features

- ◆ Excellent electromagnetic compatibility, no electromagnetic interference to surroundings.
- ◆ Advanced aluminum alloy body and high-tech painting process help the body get rid of rust and corrosion permanently.
- ◆ Green initiative, no UV, infrared, thermal Radiation and HG pollution etc.
- ◆ Unite the driver box to help eliminate temperature and lifespan of LED, and components.
- ◆ High color rendering reflect you a more realistic world, optional color temperature are capable with various applications.
- ◆ High quality imported aluminum reflector mirror and stalinite are adopted to ensure a symmetric light configuration.
- ◆ Precise beam angle and excellent reflection effects.

- Factory
- Warehouse
- Toll-Gate
- Gas Station
- Supermarket
- Exhibition Hall
- Stadium



## Optical Parameter



| Item code | 3m         | 4m        | 5m        |
|-----------|------------|-----------|-----------|
| NS-FL-10  | 13-17lx    | 22-26lx   | 40-45lx   |
| NS-FL-20  | 80-90lx    | 45-50lx   | 28-34lx   |
| NS-FL-30  | 129-144lx  | 71-81lx   | 47-52lx   |
| NS-FL-50  | 220-240lx  | 130-140lx | 80-90lx   |
| NS-FL-80  | 385-410lx  | 210-230lx | 140-160lx |
| NS-FL-100 | 480-510lx  | 264-284lx | 160-180lx |
| NS-FL-150 | 740-780lx  | 410-440lx | 260-280lx |
| NS-FL-200 | 970-1020lx | 550-580lx | 350-370lx |

| Item code | Beam Angle |
|-----------|------------|
| NS-FL-10  | 120        |
| NS-FL-20  | 120        |
| NS-FL-30  | 120        |
| NS-FL-50  | 120        |
| NS-FL-80  | 120        |
| NS-FL-100 | 120        |
| NS-FL-150 | 120        |
| NS-FL-200 | 120        |

## Installation Instructions

Correlated accessories and toolings for LED Flood light should be prepared firstly.

### Step1:

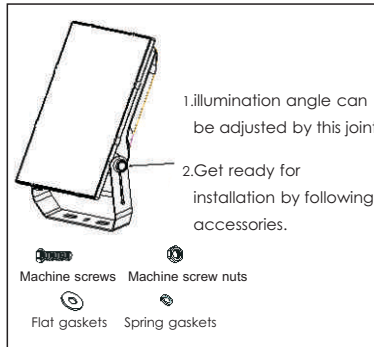
Fixing LED Flood light to wall or mounting rack, specifying a location and drill the holes with expansion bolts. Install the LED Flood light to this position and fasten with screws. The installation gap between LED Flood lights is adjustable by specific demand.

### Step2:

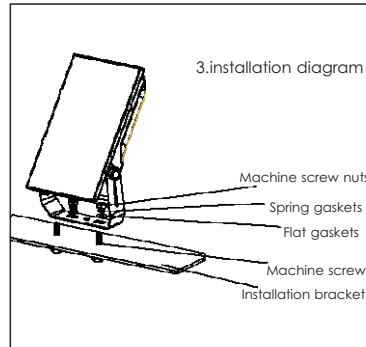
After step 1, connect wires appropriately by following instructions.

### Step3:

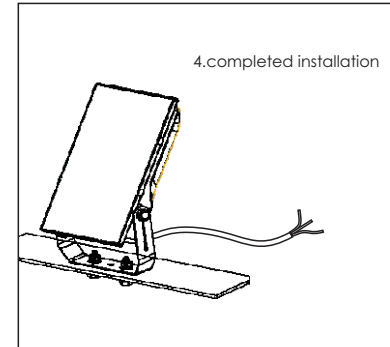
Lock screws on both ends of rotating bracket when you finalize an ideal illumination angle.



Step1



Step2



Step3

## package

| Item code | Dimension       | Carton Size   | PCS/Box | N.W. (kg)/PC | G. W. (kg)/CTN | Maximum Loading of |         |         |
|-----------|-----------------|---------------|---------|--------------|----------------|--------------------|---------|---------|
|           |                 |               |         |              |                | 20'GP              | 40'GP   | 40'HC   |
| NS-FL-10  | 166*107*32mm    | 425*415*255mm | 36PCS   | 0.46         | 20.4           | 700PCS             | 1340PCS | 1608PCS |
| NS-FL-20  | 216.5*152*40mm  | 515*380*260mm | 20PCS   | 0.835        | 19.6           | 618PCS             | 1266PCS | 1479PCS |
| NS-FL-30  | 226.5*167*40mm  | 535*405*260mm | 20PCS   | 0.992        | 23.22          | 551PCS             | 1200PCS | 1350PCS |
| NS-FL-50  | 310.47*220*50mm | 530*365*255mm | 8PCS    | 1.743        | 15             | 594PCS             | 1284PCS | 1485PCS |
| NS-FL-80  | 354.32*245*55mm | 435*340*130mm | 1PC     | 3.760        | 4.28           | 1708PCS            | 3512PCS | 3780PCS |
| NS-FL-100 | 402.32*295*60mm | 510*430*135mm | 1PC     | 4.65         | 5.35           | 1085PCS            | 2225PCS | 2534PCS |
| NS-FL-150 | 430.25*330*60mm | 510*430*135mm | 1PC     | 6.147        | 7.1            | 1085PCS            | 2225PCS | 2534PCS |
| NS-FL-200 | 470.25*360*60mm | 555*460*135mm | 1PC     | 7.238        | 8.2            | 960PCS             | 1981PCS | 2262PCS |